

Technical data

Material housing	Polypropylene GF
Material strainer element	Polyamide
Material lid	Styrol/Acrylnitrile SAN
Weight	approx. 1.21 lbs(0.55 kg)/ 0.55 lbs(0.25 kg)
Max. ambient temperature	75 °C (167°F)
Max. water temperature	55 °C (131°F)
Max. pressure	0,5 bar (50 kPa, 7 psi)

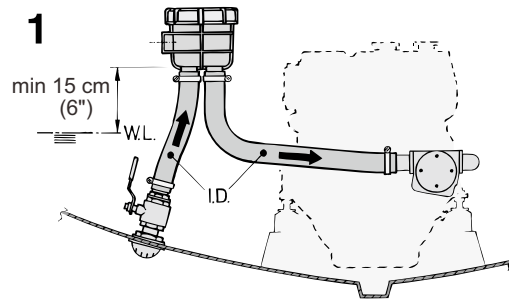
SEAFLO®

Sea Water Filter Manual

SF-SWF001/SF-SWF002

The seawater filter with transparent cover, inspection therefore, can be carried out without opening of the strainer. Due to the large active surface the strainer seldom needs to be cleaned. In a standard installation situation the capacity is as per technical data, the capacity depends of the diameter of the hose connection.

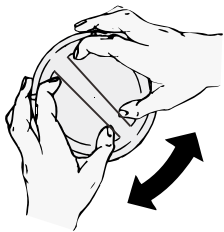
Installation



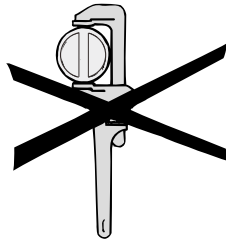
1. Always Install the water strainer above the waterline
2. Mount the strainer against a vertical bulkhead
3. Always Install a sea-cock on the water inlet scoop
4. Always use flexible hose for both connections, Water scoop to strainer, Strainer to engine
5. Use only water and/or soap to ease fitting the hoses to the hose connections
6. Never products containing grease or oil
7. Fit each hose connection with stainless steel hose clamps (Sold Separately)
8. Pay attention to the flow direction through the filter

Use and maintenance

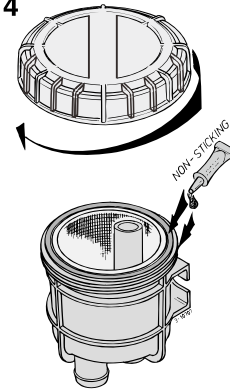
2



3



4

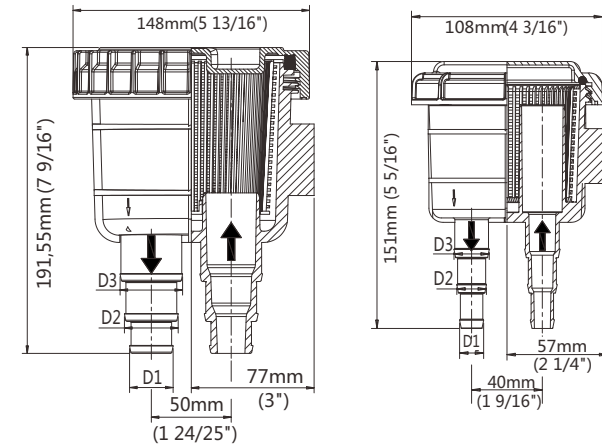


Inspect the strainer element regularly for contaminants.

N.B. The lid doesn't need to be removed for inspection. Clean the strainer element if dirt has accumulated. Close the sea-cock before unscrewing the lid of the water strainer, (see drwg 2) Remove the strainer element out of the housing and flush the strainer with clean water. Re-install the strainer element, grease the Seal ring and the thread with e.g. silicone oil or teflon based spray, (see drwg 4) and reinstall the lid.

N.B. Secure or loosen the lid always manually. Never use tools for this purpose, (see drwg 2 and 3) Check the seal between lid and housing after cleaning and reassembling the strainer. An improperly sealed lid will result in air sucked in by the sea water pump of the engine which again will result in overheating of the engine. To prevent damage of the water strainer, during frost in the winter time, either the water must be drained or the installation must be filled with anti-freeze. Remove the hoses to drain the strainer; the housing is not equipped with a drain plug. Take care that during filling with anti-freeze no anti-freeze is spilled into the waterway. Anti-freeze is poisonous.

Technical data



SF-SWF001

SF-SWF002

Model	Output Size	Recommended Hose Size	Recommended Input
SF-SWF001	D1: 25.4(1")	25 mm	91L/min. 24GMP US
	D2: 31.8(1-1/4")	32 mm	143L/min. 37.8GMP US
	D3: 38.1(1-1/2")	38 mm	200L/min. 52.9GMP US

Model	Output Size	Recommended Hose Size	Recommended Input
SF-SWF002	D1: 12.7(1/2")	13 mm	23L/min. 6GMP US
	D2: 15.9(5/8")	16 mm	35L/min. 9GMP US
	D3: 19.1(3/4")	19 mm	51L/min. 13GMP US